

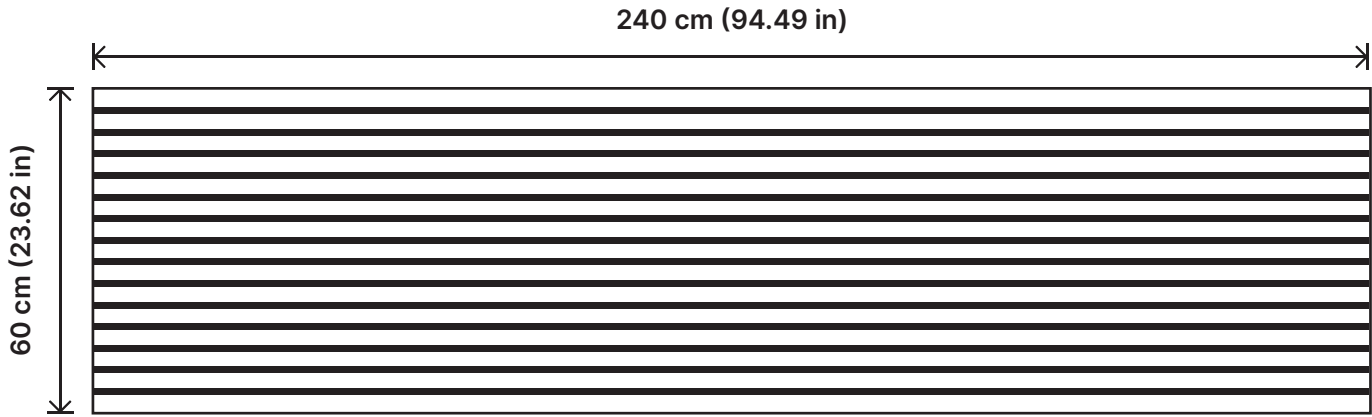


INSTALLATION GUIDE

DIMENSIONS



FULL PANELS

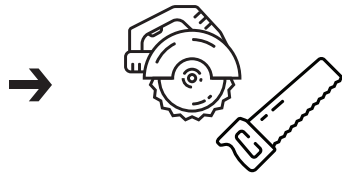


SLATS



TOOLS NEEDED

To install the panels, you need the following:



A SAW –
either a circular saw or a normal saw.



A screwdriver



Screws to secure the panels to the wall



Black gypsum screws about 35 mm for mounting
the acoustic panels.



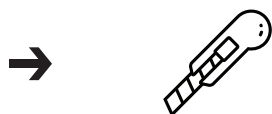
Optional small screws about 15 mm for securing
the lamellae when cutting the panels.



Ruler/measuring tape



Pencil



Knife

INSTALLATION

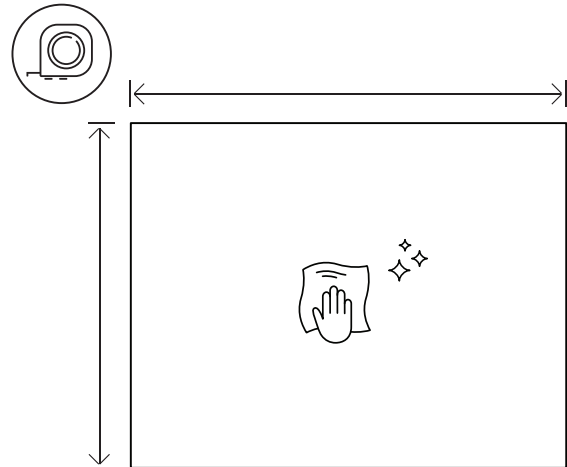


STEP 1: PREPARATION

→ PREPARE THE WALL

Begin by cleaning the wall with a cloth, ensuring it's free of screws, nails, or any protrusions for a smooth surface.

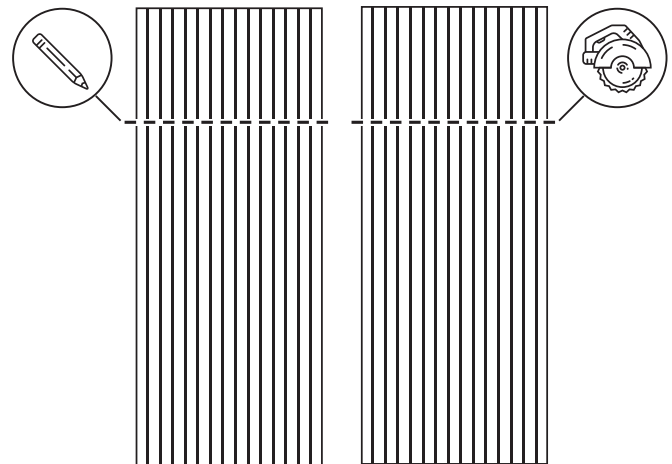
Measure and mark the placement of the panels.



→ CUTTING THE PANELS TO HEIGHT

If your wall measurements require, adjust the panel height using a circular saw or jigsaw.

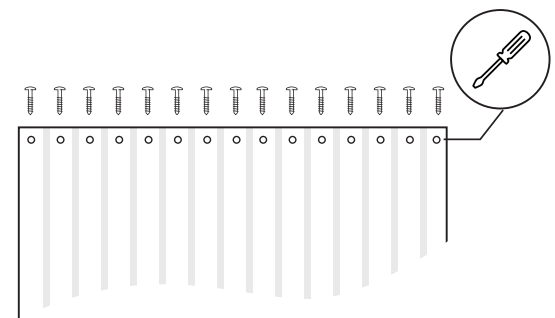
Draw a line with a pencil on the panel to ensure a straight cut.



→ SECURING THE SLATS POST-CUT

Post-cut, reattach the slat ends by screwing them back into place with 15mm screws. This ensures the slats are firmly secured.

Repeat for each slat.



INSTALLATION



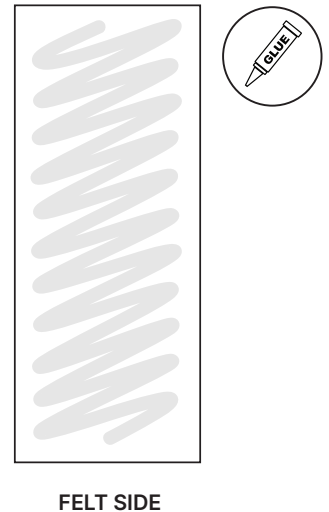
STEP 2: INSTALLATION

→ OPTION 1 - GLUE METHOD

Prepare your glue tube and evenly apply glue to the panel's felt side.

Align the panel with your wall markings and press firmly for even glue distribution.

Hold for 20-30 seconds, checking alignment with a spirit level.



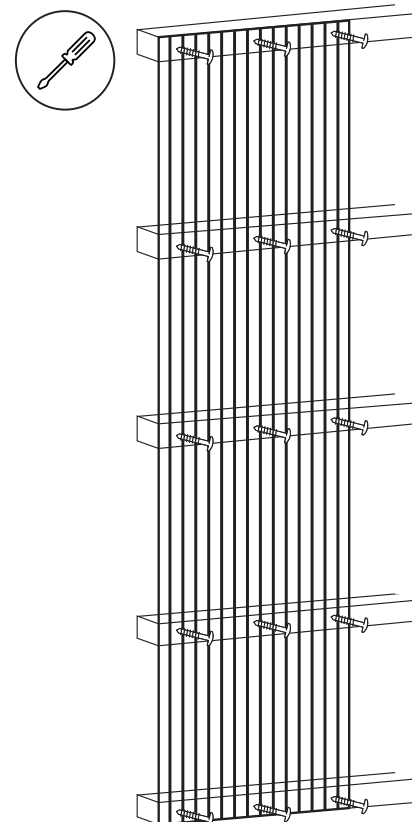
→ OPTION 2 - SCREW MOUNTING METHOD

Attach the panels using 35mm black gypsum screws, driving them through the felt into the wall.

Use about 15 screws per panel.

Remember, panels have a felt and a slat side; align them so joints are concealed.

When joining, ensure a 13mm gap between slats for optimal fit, using a sample slat as a spacer if necessary.



INSTALLATION

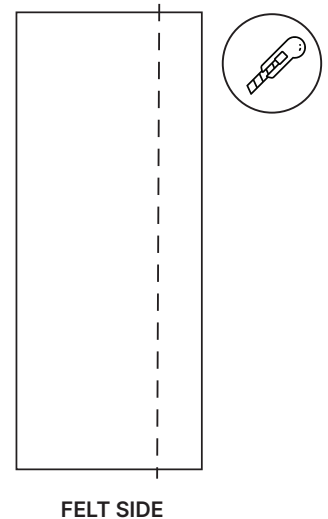


STEP 3: ADJUSTING PANEL WIDTH

→ CUSTOMIZING PANEL WIDTH

At the end of your wall, you might need to trim the panel's width.

Cut the felt side with a knife to fit, then secure this last piece with gypsum screws through the felt into the wall.



ADJUSTMENT OF PANELS FOR FLUSH ALIGNMENT (HEIGHT-WISE):

Due to the natural characteristics of the materials and the impact of long-distance shipping conditions, slight variations in the dimensions of the panels may occur. These variations can lead to discrepancies between slats vertical positioning.

If discrepancies are noted, carefully trim up 1-3 millimetres (0.12") from the sides of the panels that will be joined together. This adjustment should be made only height-wise to achieve a flush and seamless appearance.

NOTE: These adjustments are typically minor but essential for achieving the best possible finish.

